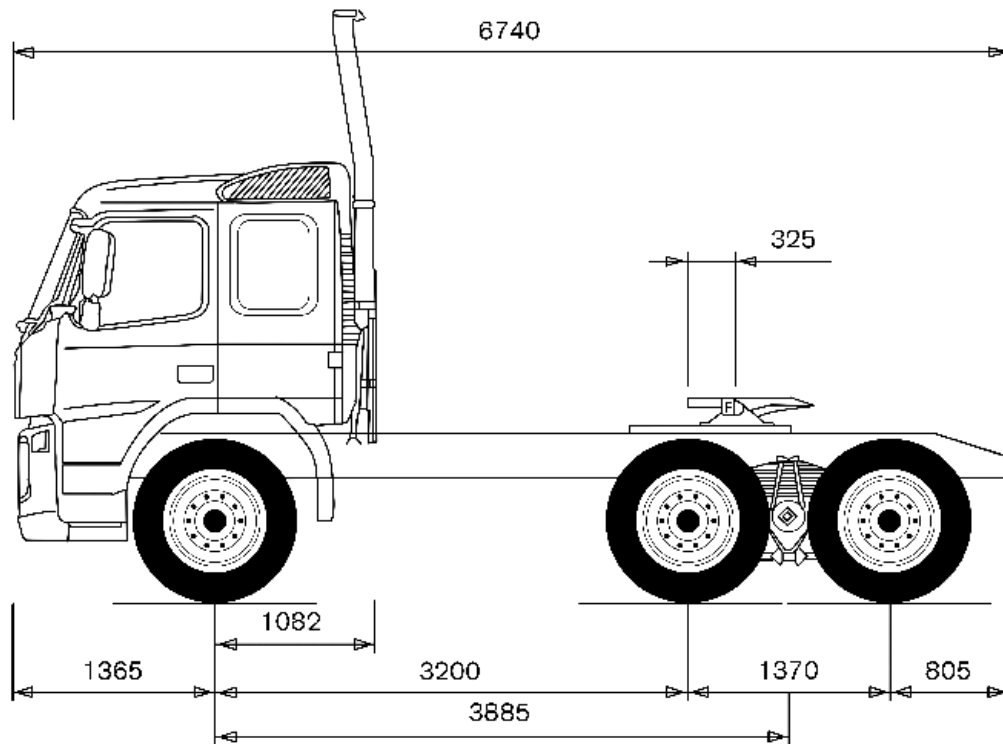




Volvo Trucks. Driving Progress

VOLVO FM 420 6X4 BS-IV TRACTOR





ENGINE

Six-cylinder, in-line direct-injection diesel engine	
Overhead camshaft with four valves per cylinder	
Electronically regulated fuel injection with unit injectors	
Heavy duty turbocharger and intercooler	
Engine Management System with driving information and diagnosis	
Exhaust after treatment by Selective Catalytic Reduction (SCR) technology with AdBlue Tank	
Displacement	12.8 litre
Bore x stroke	131mm x 158 mm
Compression ratio	17.8:1
Max. power	420 hp @ 1400-1900 rpm
Max. torque	2100 Nm @ 1000-1400 rpm
Economy speed range	1000-1500 rpm
Emissions*	BS-IV / Euro 4
Max. engine brake power	402 hp (VEB) @ 2300 rpm

*Emission requirements conform to ECE/EEC regulations and MoRTH / CMVR / TAP 115 / 116

CLUTCH

Power assisted push type single plate friction disc	
Plate diameter	430 mm

GEARBOX

I-Shift (Automated range / Splitter gearbox)	
Heavy duty transmission oil cooler with additional radiator	
I-Roll, Shift strategy, smart cruise control features for economy driving	
P+, HD Mode, jerk start features for performance driving	
No. of gears	12 Forward + 4 Reverse

FRONT AXLE

Heavy duty steerable front axle	
Capacity	9000 kgs

REAR AXLES

Drive tandem hub-reduction axles with four planetary gears	
Differential locks – Inter-wheels and Inter-axes	
Ratio	5.41:1
Capacity (Tandem axles)	32000 kgs

SUSPENSION

Front

Parabolic suspension with S-shaped leaf geometry	
Double-action shock absorbers and stabilizers	
No. of leaves	3

Rear

Heavy duty bogie suspension with conventional multi-leaf spring	
Rubber-journalled V-stays, reaction rods, stabilizer and two shock absorbers	
No. of leaves	9

WHEELS AND TYRES

Tyre size	12.00 R20, Radial
Wheel rim size	8.5" x 20"
Total no. of wheels fitted	10
1 no. spare wheel rim and tyre	

CHASSIS FRAME

'C' channel section side members made of high strength steel	
Partial length inner reinforcement	
Depth	300 mm
Flange width	90 mm
Section thickness	8 mm
Inner reinforcement thickness	5 mm

STEERING

Hydraulic power steering	
Tilt and telescopic adjustable steering wheel	
Steering wheel diameter	450 mm

FUEL AND ADBLUE TANKS

Steel cylindrical tank mounted on right hand side	
Fuel tank capacity	405 litre
AdBlue tank capacity	64 litre

EXHAUST SYSTEM

Horizontal muffler, vertical exhaust outlet on right hand side

BRAKES

Dual line air brake system	
Z-cam drum brakes with automatic adjustment & ABS	
Electronic parking brake activation	
Spring type parking brake chambers on front and 1 st rear axle	

PNEUMATICS

Gear driven, single cylinder reciprocating air compressor	
Max. compressor capacity	530 l/min
Electronically controlled Air Pressure Modulator (APM)	
Total air tank capacity	101 litre

ELECTRICALS

System voltage	24 V
Volvo maintenance free batteries (2 nos)	
Battery voltage	12 V
Battery capacity	170 Ah
Alternator capacity	110 A

CAB

FM sleeper cabin	
Crash tested steel welded structure	
Accommodation	1 driver + 1 co-driver + 1 bunk
Cabin tilt angle	70°

Interiors

Electrical manually controlled climate unit	
Ergonomically designed dashboard with easy access stalks, switches & controls	
Instrument cluster with easy glance displays and on-board diagnostics	
Air suspended driver's seat with adjustment of fore-aft, height, backrest, lumbar support, a shoulder, seat cushion extension seat tilt, cushion stiffness	
Cushioned foldable co-driver seat	
Red safety belt	
Lower sleeper bunk with cushion	

Exteriors

Distinct V-shape Daytime Running Light (DRL)	
Integrated head lamp unit with higher illumination main beam	
Cab fully suspended by four coil springs and shock absorbers	

TELEMATICS

Volvo Dynafleet Online services

TOOLS AND ACCESSORIES

Standard tool kit, first aid kit, two warning triangles, bulb and fuse kit
20 tonne hydraulic jack

FIFTH WHEEL COUPLING

90 mm (3.5") heavy duty fifth wheel coupling	
Standard kingpin offset (behind first rear axle)	325 mm
Height from ground (laden)	1340 mm
Height from ground (unladen)	1420 mm

VEHICLE DIMENSIONS, mm - AS PER CMVR

Wheel base	3885
Overall length	6740
Overall width	2534
Overall height	3030

VEHICLE WEIGHTS

Laden weight, kg

Front axle*	6000
Rear axle (Bogie)*	19000
Gross Combination Weight*	49000
Technical Gross Combination Weight	100000

* As per CMVR limits

PERFORMANCE DATA

Economy speed range on top gear	38-57 kmph
Max speed (Geared)	83 kmph
Max speed (Limited)	45 kmph

VOLVO

www.volvotrucksindia.com

Unit No. 502, 5th Floor, Southern Wing (Wing-B), Embassy Prime, Bagmane Techpark, C V Raman Nagar, Bengaluru - 560 093.

Phone: +91 80 6788 7000, Fax: +91 80 6788 7124

For more information contact: vtimarketing@volvo.in

Follow us on:   / Volvo Trucks India