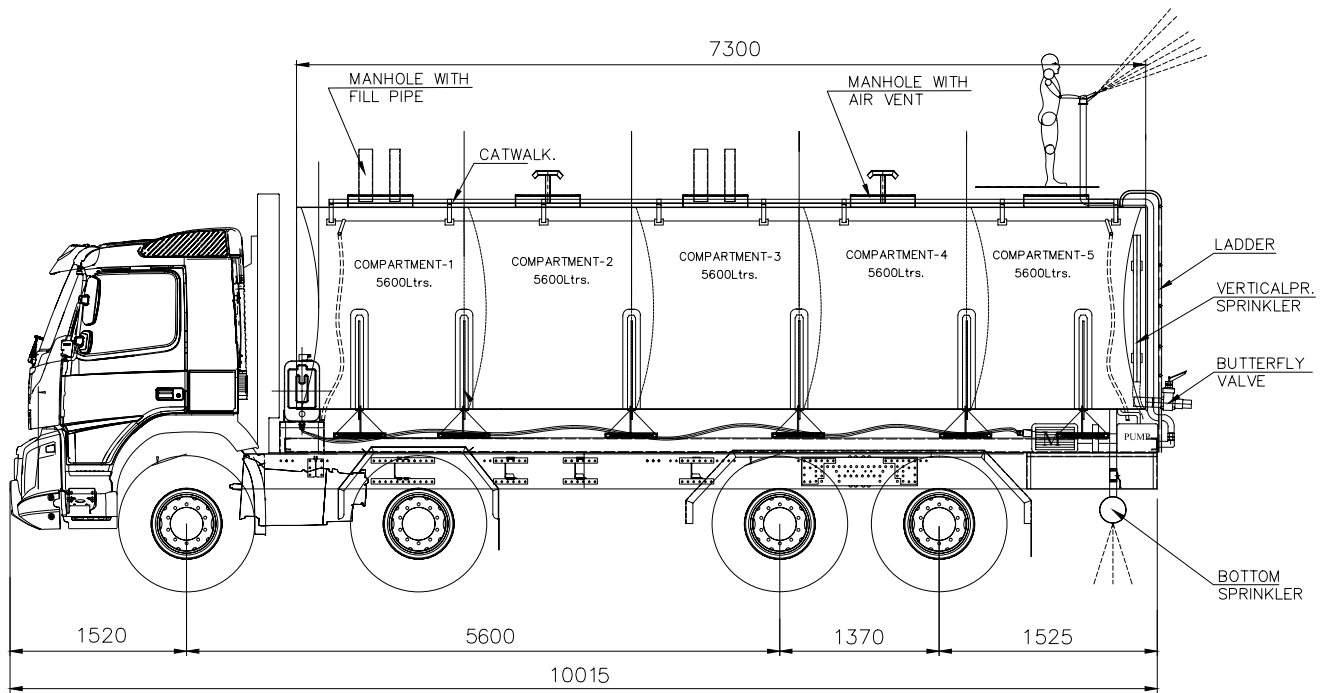




Volvo Trucks. Driving Progress

VOLVO FMX 460 8X4 BS-IV MIST WATER SPRINKLER





ENGINE

Six-cylinder, in-line direct injection diesel engine	
Overhead camshaft with four valves per cylinder	
Electronically regulated fuel injection with unit injectors	
Heavy duty turbocharger and intercooler	
Engine Management System with driving information and diagnosis	
Exhaust after treatment by Selective Catalytic Reduction (SCR) technology with AdBlue tank	
Displacement	12.8 litre
Bore x stroke	131 mm x 158 mm
Compression ratio	17.8:1
Max. power	460 hp@ 1400-1900 rpm
Max. torque	2300 Nm @ 1000-1400 rpm
Economy speed range	1000-1500 rpm
Emissions*	BS-IV / Euro 4
Max. engine brake power	503 hp (VEB+) @ 2300 rpm

* Emission requirements conform to ECE / EEC regulations and MORTH / CMVR / TAP 115 / 116

CLUTCH

Power assisted push type single plate friction disc	
Plate diameter	430 mm

GEARBOX

I-Shift (Automated range/splitter gearbox)	
Heavy duty transmission oil cooler with additional radiator	
I-Roll, Shift strategy, Smart cruise control features for economy driving	
P+, HD mode, jerk start features for performance driving	
No. of gears	12 forward + 4 reverse

POWER TAKE-OFF

Clutch independent, rear-mounted, engine power take-off

FRONT AXLES

Twin heavy duty steerable front axle with high ground clearance	
Capacity (twin axles)	18000 kgs

REAR AXLES

Drive tandem hub reduction axle with four planetary gears	
Differential locks – inter-wheels and inter-axes	
Ratio	5.41:1
Capacity (Tandem axles)	33000 kgs

SUSPENSION

Front	
Parabolic suspension with S-shaped leaf geometry	
Double action shock absorbers and stabilizers	
No. of leaves	3
Rear	
Heavy duty bogie suspension with conventional multi-leaf spring	
Rubber journalled V-stays, reaction rods, stabilizer and two shock absorbers	
No. of leaves	11

WHEELS AND TYRES

Tyre size	12" x 20" Cross Ply
Wheel rim size	8.5" x 20"
Total no. of wheels fitted	12
1 no. spare wheel rim and tyre	

CHASSIS FRAME

'C' channel section side members made of high strength steel	
Cross section	300 mm x 90 mm x 8 mm
Full length inner reinforcement	
Inner reinforcement thickness	5 mm

STEERING

Hydraulic power steering with variable displacement pump	
Tilt and telescopic adjustable steering wheel	
Steering wheel diameter	500 mm

FUEL & ADBLUE TANK	
Steel cylindrical tank mounted on right hand side	
Fuel tank capacity	270 litre
AdBlue Tank capacity	32 litre

EXHAUST SYSTEM	
Horizontal muffler, vertical exhaust outlet on right hand side	

BRAKES	
Dual line air brake system	
Z-cam drum brakes with automatic adjustments	
Electronic parking brake activation	
Spring type parking brake chambers on 2 nd front axle and 1 st rear axle.	

PNEUMATICS	
Gear driven, double-cylinder reciprocating air compressor	
Max. compressor capacity	900 l/min
Electronically controlled Air Pressure Modulator (APM)	
Total air tank capacity	123 litre

ELECTRICALS	
System voltage	24 V
Volvo maintenance-free batteries (2 nos.)	
Battery voltage	12 V
Battery capacity	170 Ah
Alternator capacity	110 A

CAB	
FMX day cabin	
Crash-tested steel welded structure	
Accommodation	1 driver + 1 co-driver
Cabin tilt angle	70°

Interiors	
Electrical manually controlled climate unit	
Ergonomically designed dashboard with easy-access stalks, switches & controls	
Instrument cluster with easy-glance displays and on-board diagnostics	
Air suspended driver's seat with adjustment of fore-aft, height, backrest, lumbar support, shoulder, seat cushion extension, seat tilt, cushion stiffness	
Cushioned foldable co-driver seat	
Red safety belt	

Exteriors	
Heavy duty bumper with extremely robust design and high approach angle	
Robust front towing device rated for 32 tonnes	
Distinct V-shape daytime running light (DRL)	
Heavy duty head lamp unit with higher illumination main beam	
Cab fully suspended by four coil springs and shock absorbers	

TELEMATICS	
Volvo Dynafleet Online services	

TOOLS AND ACCESSORIES	
Standard tool kit, first-aid kit, two warning triangles, Bulb and fuse kit	
20 tonne hydraulic jack	

WATER SPRINKLER SUPER STRUCTURE	
All steel welded construction	
Double D-type design with interlinked compartments	
Capacity	28 KL
No. of compartments	5
Discharge through rear butterfly valve, side sprinkler and water gun	

Mist Mechanism Pressurized through a PTO driven suitable pump and mist of desired size is achieved through spiral-cone nozzle - a fine spray of less than 500 microns. Facility to draw water from ground level reservoir.

Water Tanker Standard 3.5 mm tested plates fabricated as per standard norms. 5 compartments combined by small cut outs in the baffle/separating wall at both top and bottom. 5 nos. manholes of 450 mm diameter for access to each compartment for cleaning purposes. All steel components are chemically pre-treated including raisins to prevent rusting and phosphating. Two brush coats of water proof epoxy paints.

Pump Hydraulic system driven water pump is mounted on the side platform. It is a self – priming system from nearby water source.

Sprinkling System 3 different types of sprinkling systems:
- Horizontal & vertically inclined 2 arms at the rear end of the tank covering a width of 40 feet
- Gravity flow through horizontal bar system
- Water monitor mounted on the top of the tank with a throw of more than 40 meters

Spiral Nozzles Spiral coned nozzle for mist - type water sprinkling to a fine spray of less than 500 microns, while allowing the usage of pond water without clogging the nozzles.

Optional Automation The entire system is developed to single man operation. All the control systems are available in the driver's cabin.

VEHICLE DIMENSIONS, mm	
Wheel base	6285
Overall length	10015
Overall width	2590
Overall height	3700
Turning circle diameter	23200
Minimum ground clearance	340

VEHICLE WEIGHTS	
Laden weight, kg (as per CMVR limits)	
Front axles (twin)	12000
Rear axles (bogie)	19000
Gross Vehicle Weight	31000

PERFORMANCE DATA	
Max. speed (Limited)	45 kmph

VOLVO

www.volvotrucks.in

Unit No. 502, 5th Floor, Southern Wing (Wing-B), Embassy Prime, Bagmane Techpark, C V Raman Nagar, Bengaluru - 560 093.

Phone: +91 80 6788 7000, Fax: +91 80 6788 7124

For more information contact: vtimarketing@volvo.in

Follow us on:     / Volvo Trucks India